

COMMANDO 120 R



APPLICATION

Commando 120 R is a hydraulic, self-propelled drilling unit on a 4-wheel drive carrier. It drills holes with a maximum recommended diameter of 41 mm ($1 \frac{5}{8}$ ") and a maximum practical length of 9 meters (30'). Commando utilizes 19 or 22 mm ($\frac{3}{4}$ " or $\frac{7}{8}$ ") integral drill steels and R23 MF rods.

Commando 120 R is easily manoeuvrable with good rough terrain capabilities. With 2.8 ton weight and compact size it is easy to transport between job sites on a truck or on a trailer, or it can even be lifted by a helicopter.

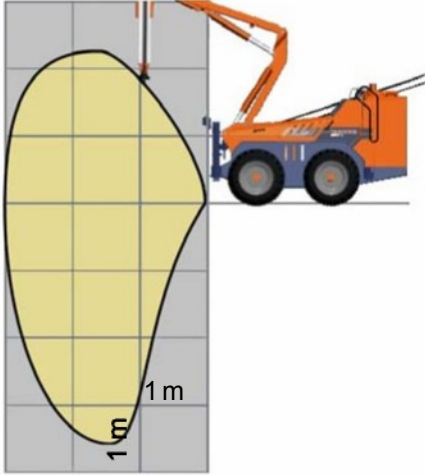
Commando 120 R is equipped with HEX 1 hydraulic top hammer rock drill. The rock drill is mounted on an aluminium chain feed, which is attached to an articulated boom giving a drilling coverage of 10 m² (108 sq-ft). A 37 kW CAT engine supplies power both for hydraulic pumps and for an on-board compressor.

For easy operation, good visibility and operator safety, Commando 120 R is supplied with a radio remote control unit. All boom and drilling functions can be controlled from this unit. For operator comfort Commando 120 R is also equipped with a dust collection system, which gathers drilling dust from the hole into a plastic bag.

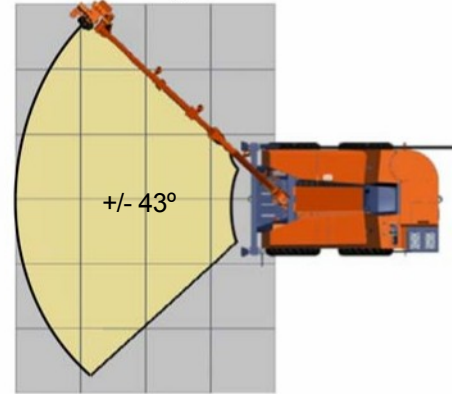
Typical applications for Commando 120 R are foundation drilling, road cutting, trenching, bolting, line drilling in dimensional stone quarries, and other special drilling applications. Therefore Commando 120 R is most often used by construction contractors, mines and quarries, and the municipal sector. Due to its versatility Commando 120 R is often included in the equipment fleet of rental houses as well.

COVERAGE AREA

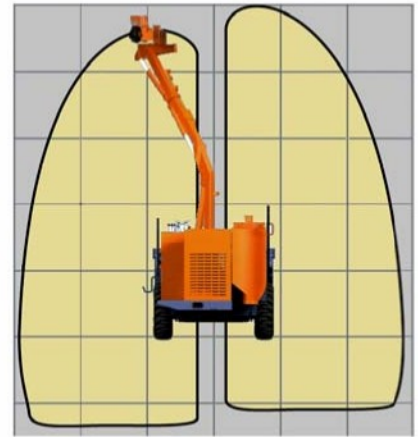
Vertical drilling



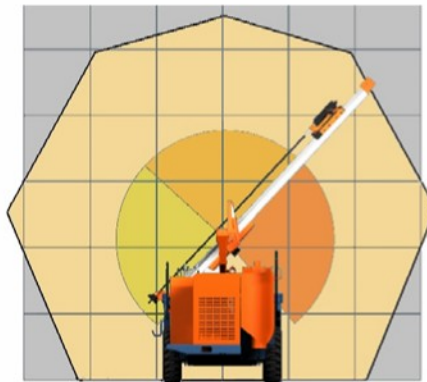
Vertical drilling



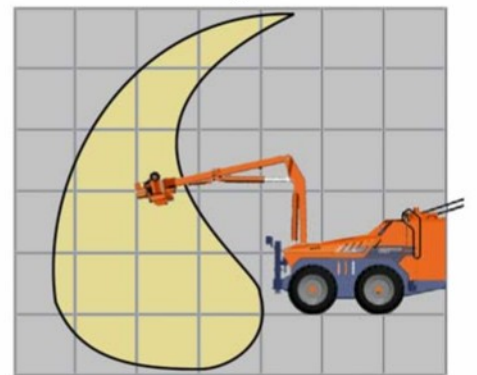
Horizontal drilling, forwards



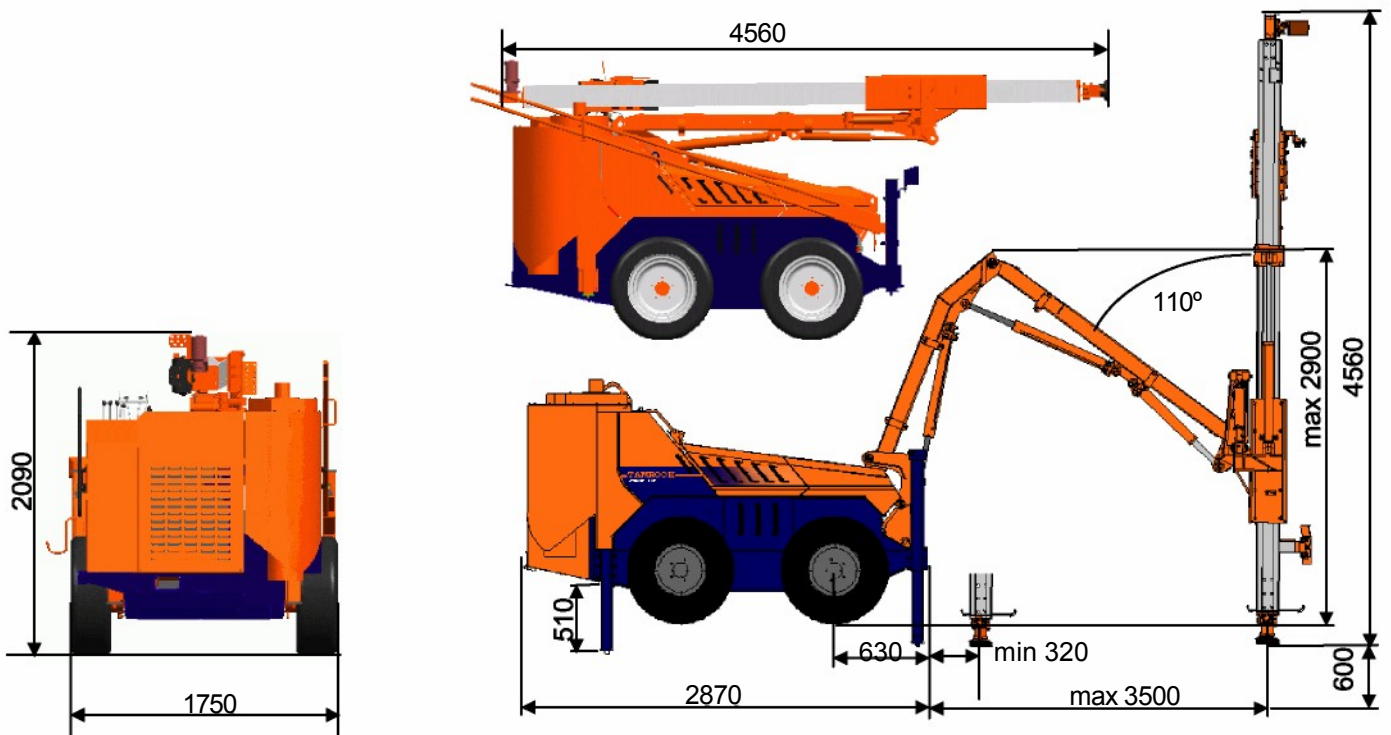
Horizontal drilling, sideways
With manual roll-over



Horizontal drilling, sideways



TRANSPORT DIMENSIONS



STANDARD COMPONENTS TRANSPORT DIMENSIONS

- | | | |
|-----|------------------------|--|
| 1. | Rock drill | HEX 1, hydraulic |
| 2. | Chain feed | CF 100 x 32 / HEX 1, incl. one set of jaws |
| 3. | Rod rack | On the carrier |
| 4. | Boom | DB 120, articulated |
| 5. | Carrier | Rubber-tyred |
| 6. | Powerpack | Diesel driven, hydraulic pumps and on-board compressor |
| 7. | Hydraulic system | Open center |
| 8. | Control system | TA1 32E/1 20, radio remote |
| 9. | Dust collection system | DC 120, hydraulic |
| 10. | Working lights | 4 pcs |
| 11. | Hydraulic jacks | 4 pcs |
| 12. | Manuals | Service and spare parts manuals:
2 x paper copy
2 x CD-ROM (Toolman) |

13. EU-safety devices

- | | |
|--------------------------|----------|
| Weight (without options) | 2 800 kg |
| Width | 1.8 m |
| Height | 2.2 m |
| Total length | 4.5 m |

THE JAWS FOR DRILL STEELS

	Drill steel type	Drill steel diameter	Recommended hole diameter
1.	Integral drill steels	19 mm <small>³/₄"</small>	22 - 27 mm <small>⁷/₈ - 1 ¹/₁₆</small>
2.	Integral drill steels	22 mm <small>⁷/₈"</small>	28 - 41 mm <small>⁷/₈" - 1 ⁷/₈</small>
3.	MF rods	R23	33 - 38 mm <small>1 ⁵/₁₆" - 1 1/2"</small>
4.	Shank adapter/ Shank rod	R23	33 - 38 mm <small>1 ⁵/₁₆" - 1 1/2"</small>

If several jaws selected please specify jaws assembled.

SELECTION OF OPTIONS

- | | | | |
|-----|---|-----|---|
| 1. | Hydraulic winch (1 ton) | 11. | Manual fuel filling pump |
| 2. | Chain tracks | 12. | Electric fuel filling pump |
| 3. | Hydraulic drill steel grinder Dynaset | 13. | Electric engine heater |
| 4. | Hydraulic drill steel grinder for integral steels, Sanroc ILH | 14. | Extra manuals |
| 5. | TIM 1402 feed angle measuring system | 15. | First service kit for Commando 120 R |
| 6. | TIM 1403 feed angle and hole depth measuring system | 16. | Special tools for HEX 1 rock drill, complete ID 550 259 07 |
| 7. | TIM 1404 feed angle measuring and adjusting system | 17. | Biodegradable hydraulic oil, Shell Naturelle HFE 46 or HFE 68 (synthetic ester) |
| 8. | Spirit level angle indicator | 18. | PTX exhaust gas purifier |
| 9. | Water flushing kit without water pump | | |
| 10. | Shut down of suction for water holes | | |

SANDVIK TAMROCK reserves the right to change this specification without further notice